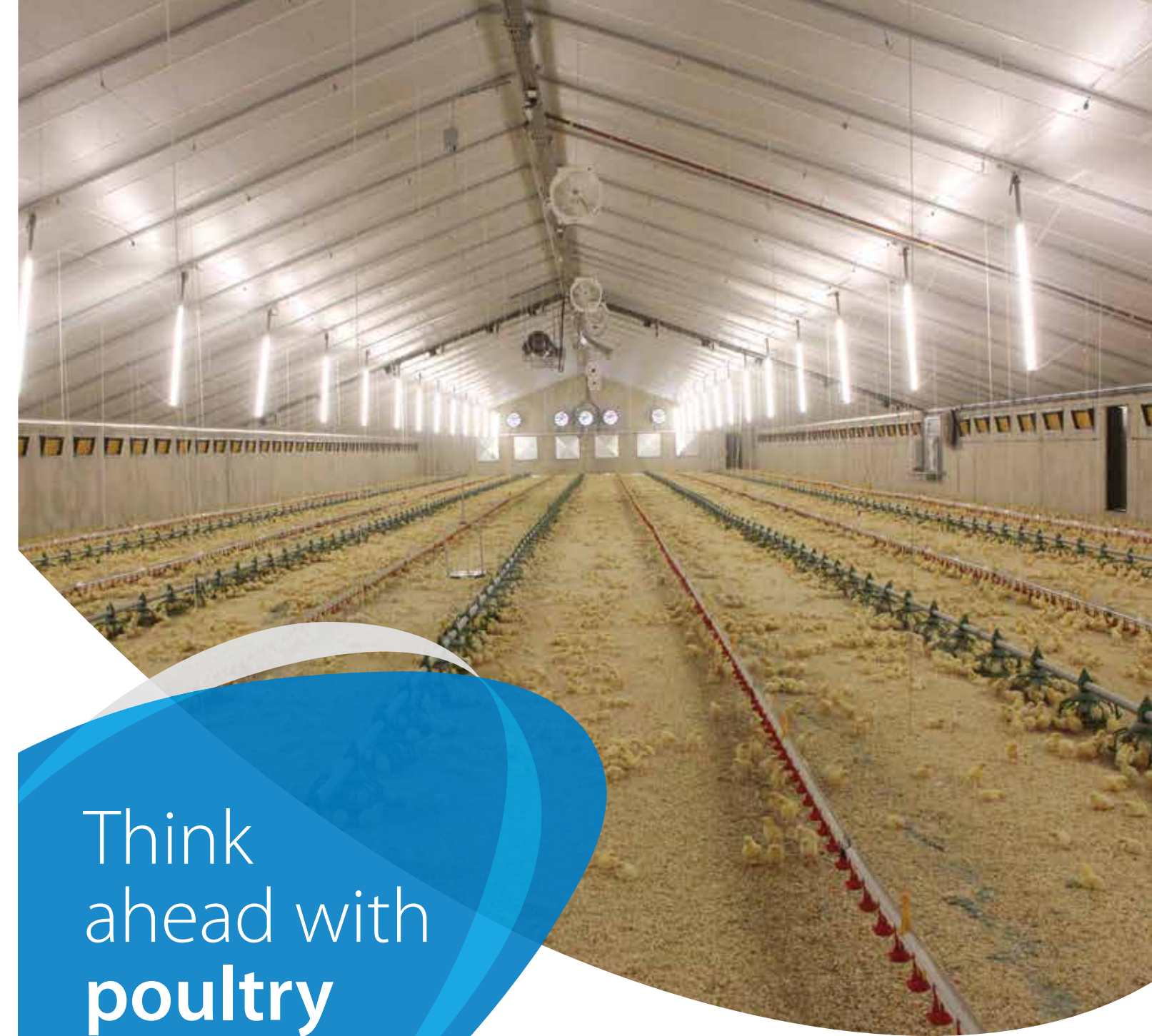


Effective climate control

Our climate specialists offer you the solutions for a constant optimal climate in your poultry house during all phases of the birds' life. Using Agro Supply's heat exchanging systems, the costs of effective climate control are minimized.

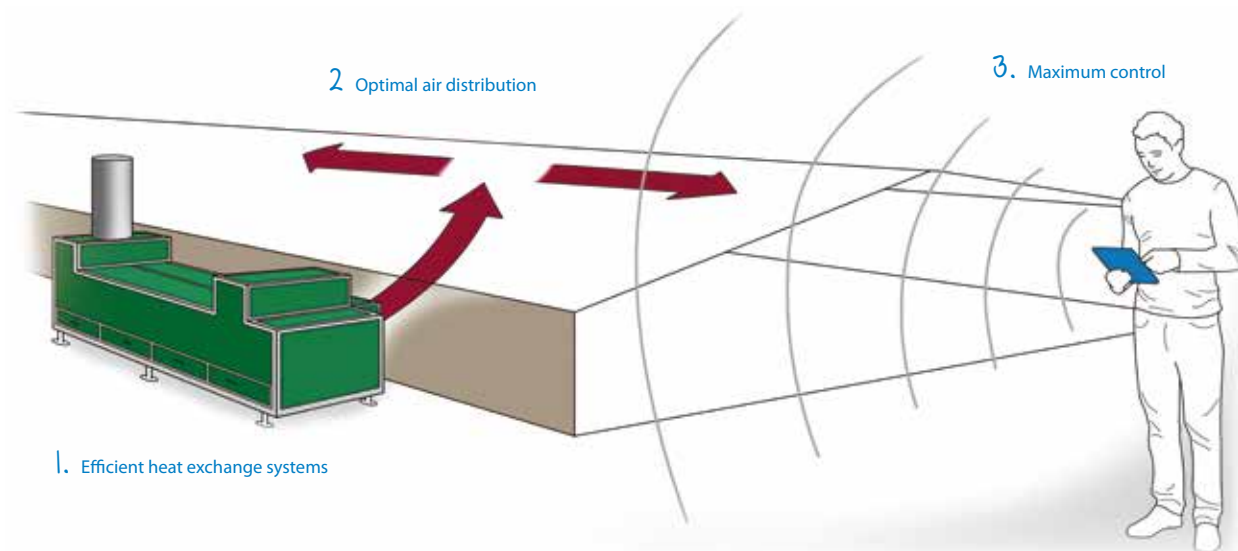


Clima+ design

We believe that the health and thus productivity of poultry first and foremost depends on the quality of the air they live in. A healthy climate is created by providing fresh air at bird level, thereby reducing ammonia and CO₂ emissions to an absolute minimum. The Clima+ design creates the ideal climate through an even distribution of pre-heated fresh air at bird level all year round in almost all types of poultry houses.

Agro Supply realizes effective climate control through:

- 1) the most efficient heat exchange systems;
- 2) optimum air distribution throughout the house;
- 3) maximum control of air distribution using smart software.



Agro Supply

Visiting address: Venco Campus Meerheide 200 5521 DW Eersel The Netherlands	Postal address: Agro Supply P.O. Box 160 5520 AD Eersel The Netherlands	T: +31 (0)497 518972 F: +31 (0)497 513613 E: info@agrosupply.com www.agrosupply.com
--	--	---

Your local Agro Supply partner:

Think ahead with poultry people

Effective *climate control*



Agro Supply, a Vencomatic Group company



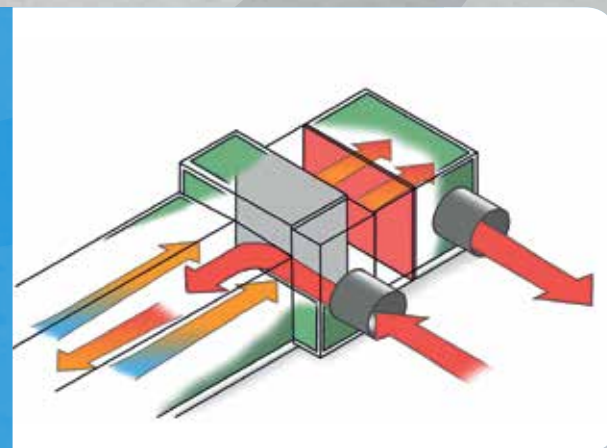
Efficient heat exchange systems

The Clima⁺ heat exchanger allows you to fully control the climate in your poultry house in all weather conditions with an optimal energy use. It uses warm air from inside the house to heat up fresh air from outside. Thanks to the counter flow air stream and low air pressure inside the heat exchanger it achieves a superior thermal efficiency of 80%.



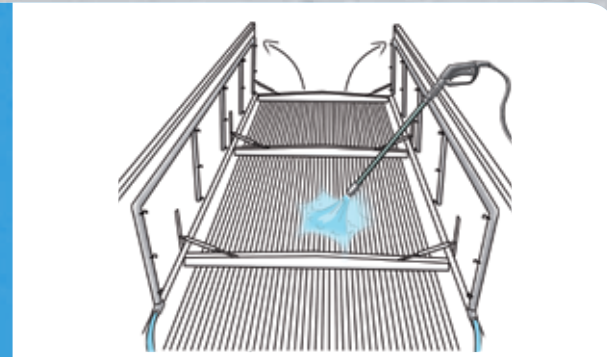
Complete heating

The Clima⁺ heat exchanger can be used as a complete heating system by extending it with a heating unit. This heater in combination with recirculation of air enables you to control the temperature inside the poultry house regardless of the weather conditions. The heater can be integrated in the Clima⁺ heat exchanger and thereby makes direct and indirect heaters inside the house redundant. The complete heating system enables you to create perfect and constant climate conditions for optimal bird performance.



Smart design

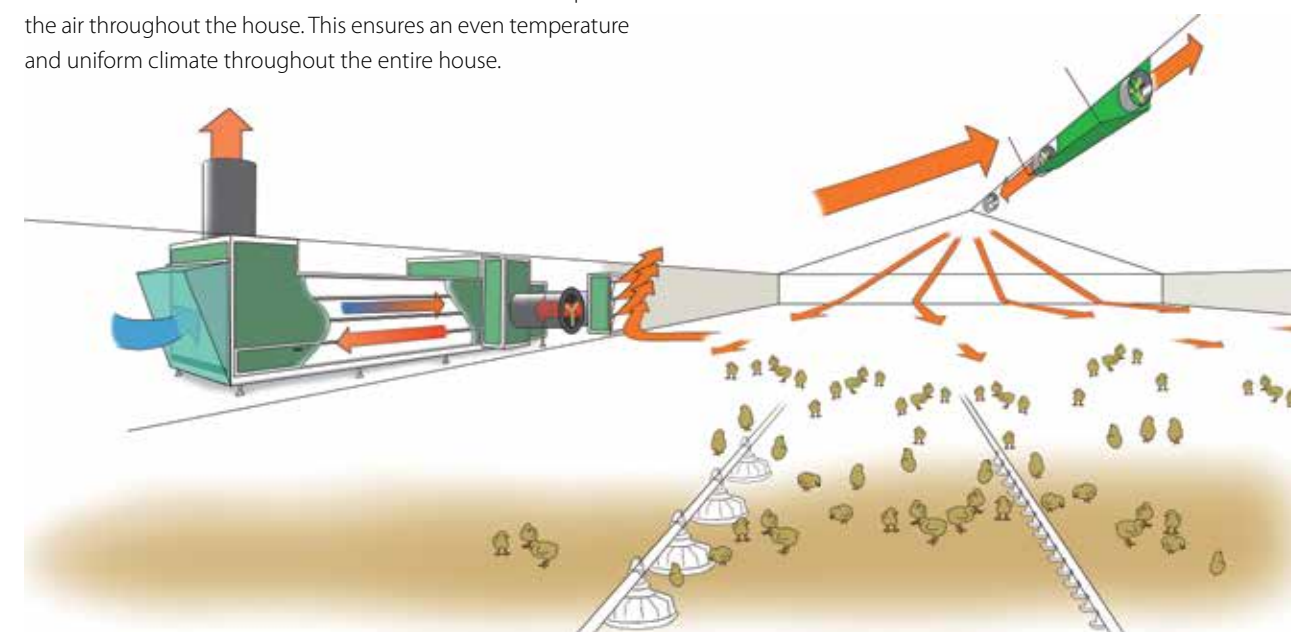
- Robust windbreak mesh pre filtering fresh air.
- Use of stainless steel and polyester for durability.
- Easy access for thorough cleaning.



Clima⁺ for optimum air distribution

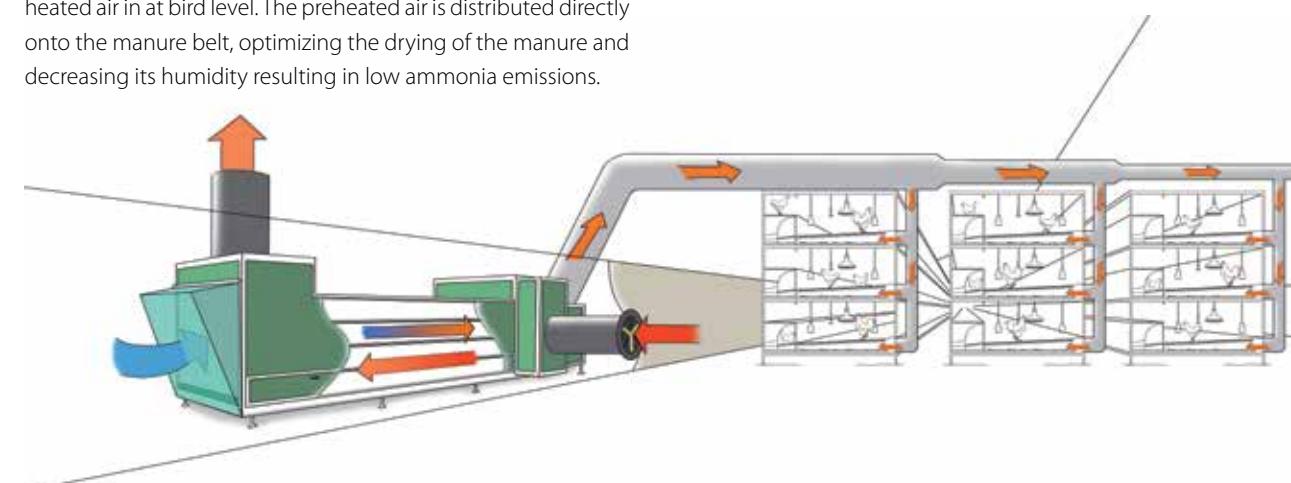
Floor house design

Pre-heated air from the heat exchanger is brought directly into a broiler or breeder floor house through the Louvre box. The warm air is projected towards the roof, where it is caught in the catchment sheet. From here the circulation fans spread the air throughout the house. This ensures an even temperature and uniform climate throughout the entire house.



Multi-tier system design

Via aeration tubes the Clima⁺ heat exchanger brings fresh pre-heated air in at bird level. The preheated air is distributed directly onto the manure belt, optimizing the drying of the manure and decreasing its humidity resulting in low ammonia emissions.

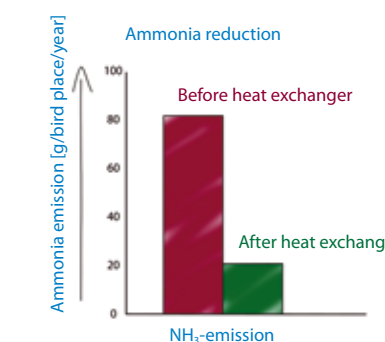


Navi⁺ software for maximum control

The intelligent Navi⁺ software governs the Clima⁺ technology and is developed based on a thorough understanding of climate control in poultry houses. Through the use of clear symbols and an integrated help function the farm manager easily navigates through the Navi⁺ software. The Navi⁺ software is also accessed from a pc, tablet or smartphone.

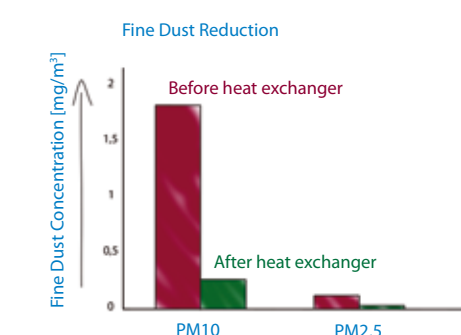


Clima⁺ design for environment improvement



Ammonia emissions

With the Clima⁺ heat exchanger you can significantly reduce the emission of ammonia (NH₃). The graph shows the emission of ammonia without and with a Clima⁺ heat exchanger in 4 different locations. The tests show that ammonia emissions dropped with a remarkable 75% (Energieonderzoek Centrum Nederland, 2009-2010).



Dust concentration

Research reveals that the Clima⁺ heat exchanger considerably reduces dust concentration. Dust concentration is expressed in mg/m³ air for dust particles of size PM 10 and PM 2.5. The graph illustrates a 78% reduction of PM 10 dust particles and a reduction of 67% of PM 2.5 dust particles (WUR Livestock Research, 2011).