



Think
ahead with
poultry
people

Complete solutions for **Breeders**



Index

Vencomatic

Housing equipment page 4

Agro Supply

Climate control page 10

Prinzen

Egg handling page 12

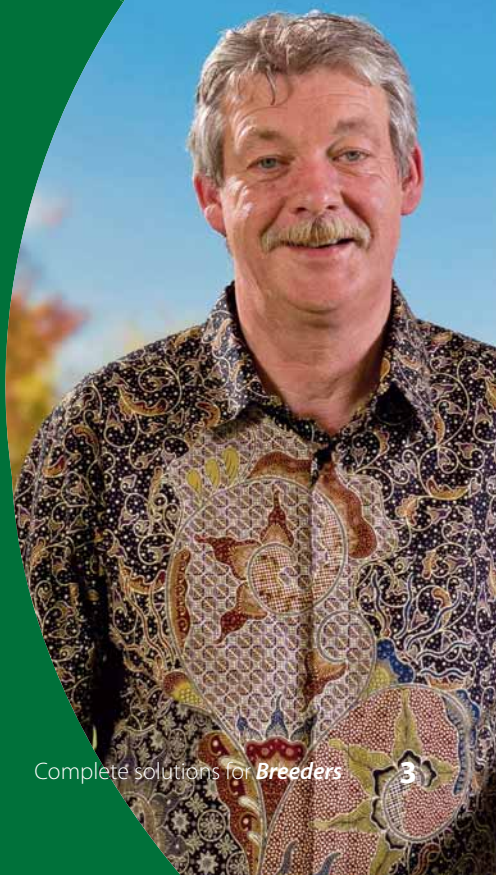
Think ahead with **poultry people**

It started more than 30 years ago with one man's breakthrough development for breeder housing: the first automatic breeder nest design. An innovation that characterizes the Vencomatic Group of today. We look for alternative solutions, developing sustainable and poultry friendly systems. The Vencomatic Group has over 350 committed employees who serve thousands of customers world-wide. Our poultry professionals know what it takes to run a successful breeder farm. And we happily share this knowledge to help you make your business a success.

We've been there, challenge us!

*"A hen has the natural desire to breed.
To enhance her chance for offspring she will look
for a safe, clean and sheltered place to lay her eggs.
She will demonstrate this same behaviour in a
breeder house. For successful hatching egg
production it is therefore essential to create
the conditions that allow this behaviour.
This is what we do at the Vencomatic Group."*

Wim Peters - Breeder specialist Vencomatic Group



Top quality hatching eggs

From the very first moment an egg is laid until it reaches its final destination, a commercially produced egg travels a long and tough journey. At Vencomatic Group we focus on perfecting every detail of this journey protecting eggs from damage or contamination. This journey starts in a Vencomatic nest, designed using smart innovations like the Vencomat, tipping floor and egg belt.

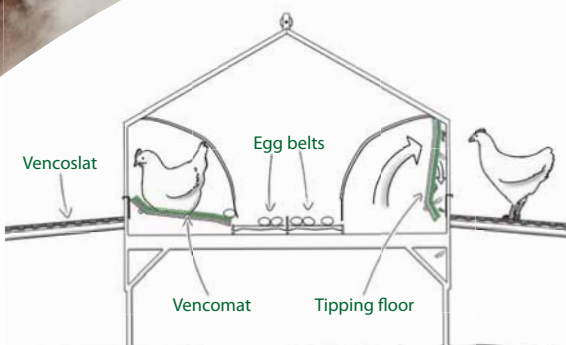
Vencomatic nest,
your key to
success



Vencomatic Nests

Reliability is the key to success for the nests of Vencomatic. Vencomatic nests offer a clean, sheltered place for the hen to lay her eggs, resulting in a high nest acceptance. The unique Vencomat in combination with the tipping floor ensure a smooth roll onto the egg belt. These components protect the eggs, preserving their perfect condition after laying.

We offer two types of nests: the Classic Nest and the Grando Nest. As can be expected from the name, the Grando Nest is a more spacious nest with a wider entry, offering a solution for the bigger broiler breeder of today. The nests are available in different configurations to fit any farm layout.

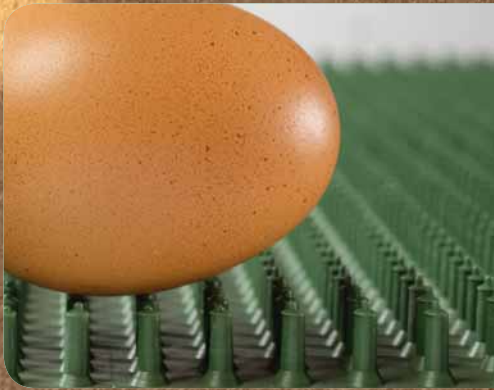


	Classic Nest	Grando Nest
Egg belt:	center belt or side belt	center belt
Number of tiers:	1 or 2 tiers	1 tier
Type:	single or double	single or double



Vencoslat, optimal hygiene

- Open structure improving hygiene;
- Strong and durable materials;
- Withstands all climate conditions.



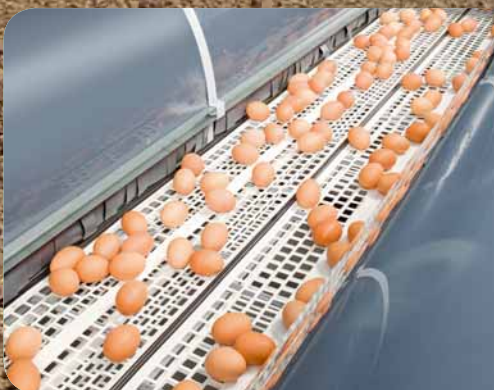
Vencomat, for maximum comfort

- Comfortable nest flooring that attracts the hen;
- Maximum hygiene through open structure and minimum contact with the egg;
- Gentle roll of the egg towards the egg belt.



Tipping floor, reliable closing system

- Expels birds to prevent broodiness and soiling;
- Lowest nest floor angle in the industry ensuring a gentle egg roll;
- Automatically tips out dust and dirt for a clean nest.



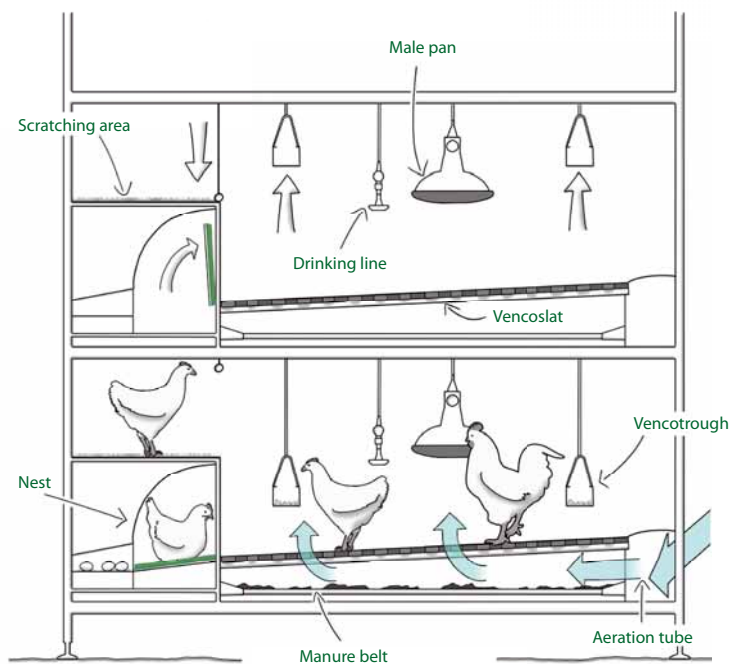
Egg belt, for gentle transport

- Unique design that prevents egg movement;
- Minimal contact between the egg and belt to secure egg quality;
- Antistatic material for optimal hygiene.



Efficient
hatching egg
production

Veranda Breeder



The Veranda Breeder is a multi-tiered group housing system for breeders. Birds are housed in groups assuring a uniform distribution of males and females and reducing stress within the flock. The Veranda Breeder allows efficient hatching egg production and maximum bird health.

- Perfect technical results; high egg numbers with high feed efficiency;
- Multi-tier system increasing the number of birds per m² floor area;
- High level of automation enables managing high numbers of breeders per worker;
- Plastic slatted floor with open structure for maximum hygiene;
- Large aeration tubes provide fresh air at bird level;
- Climate system reduces dust and the emission of ammonia to an absolute minimum.

Complementary to the Veranda Breeder is the Veranda Manager. This compact user friendly touch screen computer allows you to manage and automate the daily procedures, such as operating the nests, lighting, feed and drinking lines, egg belts, etc. The Veranda Manager interface provides one clear overview of all processes in the house.



Vencobelt

Eggs can be transported from different nest rows or houses to a central location with the Vencobelt. The belt is designed for gentle handling of eggs.

- Available in 40 and 55 cm widths;
- Capacities up to 45,000 eggs per hour;
- Slopes up to 35 degrees;
- Corners up to 180 degrees;
- Compact corners due to single drive chain.



Unique
simultaneous feed
distribution

Vencopan Breeder

Simultaneous feeding in equal portions is the major benefit of the Vencopan Breeder. All birds get access to feed at the same time. Feed is first distributed to a buffer in the top of each pan. After all buffers are filled, the system opens and promptly delivers the feed to the birds. The coin chain system prevents demixing of feed and the distribution of small portions keeps birds from selective eating. These features optimize the uniformity in your flock, since all portions of feed contain an equal amount of each ingredient.

- Reduced stress in the flock through simultaneous feeding;
- Optimized uniformity in the flock through equal portions;
- Adjustable ring on the pans prevents males from eating with the females.

Vencopan Rearing

The feeding pan for rearing birds is based on the same principles as the pan for adult birds. Additionally the rearing pan has a flexible bottom which makes it possible to lower the pan providing small chicks easy access to the feed. The grill design prevents young chicks from staying in the pan, and gives each bird an equal feeding space.



Vencotrough

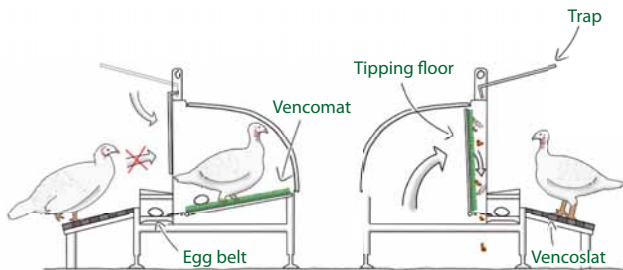
The Vencotrough is a robust chain feeding system for breeder hens. It is equipped with a winching system. By winching the trough you create more space for birds to mate and optimize the accessibility of the nests. The distribution of feed takes place when the troughs are winched. The large capacity of the trough facilitates fast distribution. Once the feed is distributed the trough is lowered and the birds start eating thus providing all birds feed access at the same time. The grill on top of the trough prevents males from eating with the females.

- Winchable system increasing living space for birds;
- Reduced stress in the flock through simultaneous feeding.

Turkey Nest

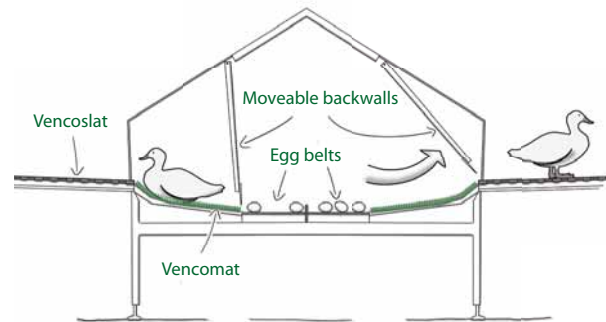
Turkeys require large and robust nests that withstands the strength of these animals. In 1986 Vencomatic developed an individual nest especially for turkeys and has a leading position ever since. The use of durable and strong materials in combination with the specifically to turkeys adapted design, form the base for the worldwide success of this nest. Through use of the proven components like the Vencomat, tipping floor and egg belt, the quality of the hatching eggs is preserved. A unique feature of the Turkey Nest is the trap mechanism. The trap only closes after a bird has entered, preventing a second bird to enter the nest. In open position young birds will therefore easily explore the nest and quickly accept it.

- Attractive nest resulting in minimal number of floor eggs;
- Tipping floor prevents broodiness;
- Unique trap mechanism for easy access;
- Direct roll away of eggs preventing broodiness;
- Solid construction and use of durable materials.



Duck Nest

Vencomatic was the first to enter the market with an automatic nest for ducks. The Duck Nest is designed for the unique needs of water fowl, while still implementing the proven innovations of our poultry nests. The moveable back wall is used to automatically expel birds from the nest after laying, preventing broodiness in the birds. The eggs gently roll onto the central egg belt safeguarding the egg quality.



Effective climate control

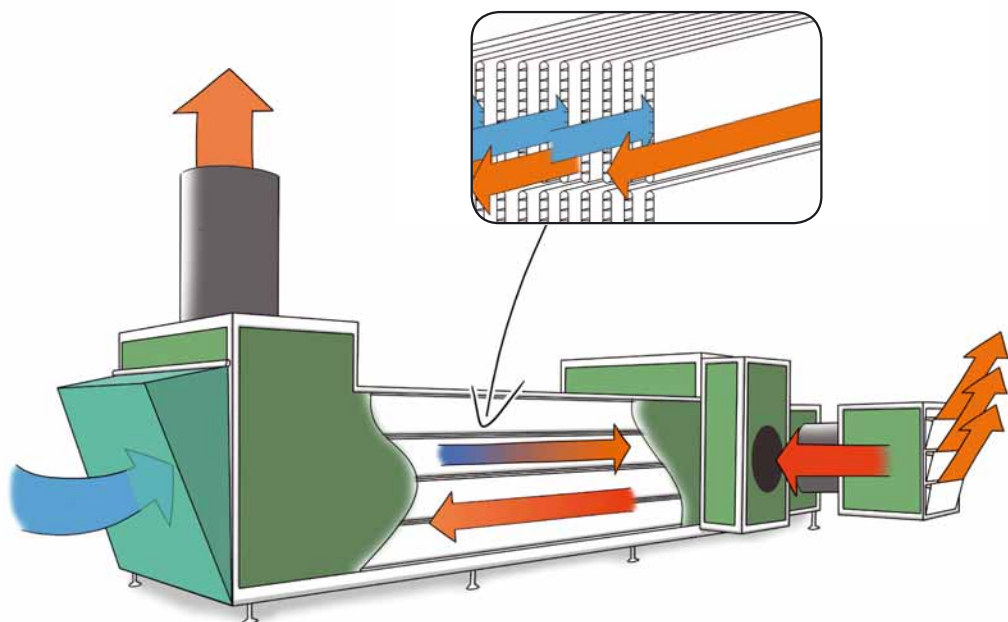
A healthy climate is an absolute must to achieve optimum performance from your birds. However controlling the climate in a breeder house can be a real challenge. The climate specialists of Agro Supply offer you the best solutions to create optimal conditions for animals and humans in a profitable way.

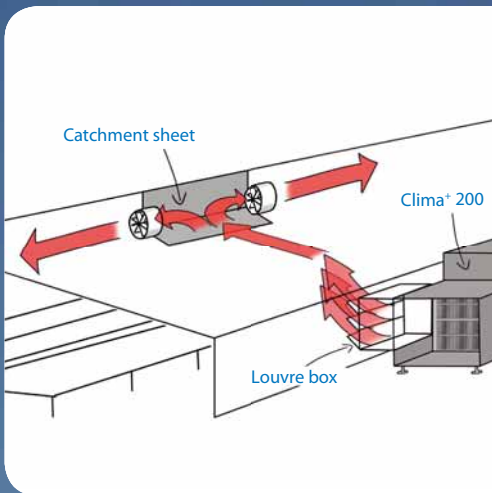


Clima⁺

The Clima⁺ heat exchanger allows you to control the climate in your breeder house in all weather conditions with optimal use of energy. It uses warm air from inside the house to heat up fresh air from outside. Thanks to the counter flow air stream and low air pressure inside the heat exchanger, it achieves a superior thermal efficiency of 80%. Intelligent software governs this technology and allows you to get the utmost of our equipment resulting in substantial savings in heating costs and reduction in CO₂ emissions. With the Clima⁺ you create a perfect and constant climate in the house for optimal litter quality and low ammonia emissions.

- Secured minimum ventilation;
- Highest thermal efficiency in the industry of up to 80%;
- Reduction of CO₂ emissions;
- Low ammonia emissions;
- Maximum control of air distribution using smart software.





Louvre system

Pre-heated air from the heat exchanger is brought directly into the breeder house through the Louvre box. The warm air is projected towards the roof, where it is caught in the catchment sheet. From here the circulation fans spread the air throughout the house. This ensures an even temperature and uniform climate throughout the entire house.



Unsurpassed **points down** setting

With over 30 years of experience, Prinzen is leading the way in automated processing of hatching eggs, in farms and in hatchery operations. The unsurpassed points down setting rate of 99.7% maximizes the hatchability of your eggs. Throughout the whole process, from egg belt to setter tray, the eggs are treated with great care. Setting machines of Prinzen will offer you the best solution for automated egg handling at your breeder farm.

Egg setting machine range

Prinzen egg setting machines are the perfect solution for accurate and gentle setting of hatching eggs directly onto setter trays. Manual labour is strongly reduced while safeguarding the quality of the eggs. The Ovosec is a semi-automatic machine, with the trays handled manually. The PSpC-series and the Ovosec Pro take automation of hatching egg setting one step further. Setter trays are automatically handled and positioned for egg transfer and setting. The compact machines allow a good overview of the entire process and are easy to operate. The stainless steel construction and service accessibility make cleaning quick and easy.

- Reduces manual labour;
- Gentle egg handling;
- Fits in every egg room;
- Easy operation;
- For all types of setter trays.

Unsurpassed hatchability

	Capacity	Parallel matrix trays	Offset matrix trays
Ovosec	12,000 eggs / hour	X	X
PSpC5	18,000 eggs / hour	X	
PSpC7	21,000 eggs / hour	X	X
Ovosec-Pro	30,000 eggs / hour	X	X

Capacity figures are indicative and are setter tray type dependent.





Points down setting

Prinzen setting machines are world renowned for their unsurpassed points down setting of 99.7%. An accurate points down setting of hatching eggs onto setter trays is a prerequisite for maximising hatchability results.



Egg transfer system

Eggs are gently transferred from the egg setting machines onto setter trays with a low pressure vacuum transfer head. The transfer head lifts eggs and places them carefully onto trays. Various adjustable vacuum transfer heads allow placements of eggs in corresponding tray patterns.



Egg coder

Egg coding systems are available for all our packers. We offer two high quality methods for coding individual eggs at minimal costs.

- The Ovoprint
 - Inkjet technology;
 - Print head adapting to each individual egg height;
 - Print field: max. height 4.2 mm / length 50 mm;
 - Over 200.000 eggs per ink cartridge.
- The Ovostamp:
 - Gentle code stamping using a flexible rubber head;
 - Ink pad easy changeable and refillable;
 - Over 250,000 eggs per stamp.



Egg grading

Egg grading results in more uniformity among hatching eggs and thus day-old chicks. Prinzen's egg graders are known for their accuracy and user friendliness. The egg grader separates eggs into predefined weight classes. Non-hatching egg sizes are routed automatically to the hand packing table. You can easily keep track of the performance of the flock with the touch screen computer that produces crucial statistical information.

	Capacity	Weight classes
Elgra 3	10,000 eggs / hour	3
Ovograder	30,000 eggs / hour	4



Trolley Loader

The Trolley Loader completes the automatic egg handling process, increasing productivity even further. It substitutes the heavy and repetitive manual labour of placing setter trays into trolleys. The Trolley Loader is compatible with the capacity of the Prinzen egg setting machines. Its compact design requires minimum floor space.

Venco Campus

Home of Poultry Innovation

What suits a team of poultry people better than an egg shaped building? We are accommodated in one of world's most sustainable buildings: the Venco Campus. This building reflects our mission of being the number one global player for sustainable, poultry friendly systems.

The Venco Campus serves as an international knowledge and innovation center for the poultry industry. We strongly believe in open innovation through collaboration. Your experience is of great value to us and we invite you to explore what poultry innovation can offer you. ***Together we bring the poultry sector to the next level.***





Vencomatic Group

Visiting address:

Venco Campus
Meerheide 200
5521 DW Eersel
The Netherlands

Postal address:

Vencomatic Group
P.O. Box 160
5520 AD Eersel
The Netherlands

Phone +31 (0)497 517380
Fax +31 (0)497 517364
info@vencomaticgroup.com
www.vencomaticgroup.com

Agro Supply

Visiting address:

Venco Campus
Meerheide 200
5521 DW Eersel
The Netherlands

Postal address:

Agro Supply
P.O. Box 160
5520 AD Eersel
The Netherlands

Phone +31 (0)497 518972
Fax +31 (0)497 513613
info@agrosupply.com
www.agrosupply.com

Prinzen

Visiting address:

Prinzen
Weverij 18
7122 MS Aalten
The Netherlands

Postal address:

Prinzen
P.O. Box 85
7120 AB Aalten
The Netherlands

Phone +31 (0)543 490060
Fax +31 (0)543 476205
info@prinzen.com
www.prinzen.com

Vencomatic

Visiting address:

Venco Campus
Meerheide 200
5521 DW Eersel
The Netherlands

Postal address:

Vencomatic
P.O. Box 160
5520 AD Eersel
The Netherlands

Phone +31 (0)497 517380
Fax +31 (0)497 517364
info@vencomatic.com
www.vencomatic.com

Vencomatic do Brasil Ltda.

Rua Justino Tavares de Toledo 401
Bairro do Salto, Socorro
13960-000 São Paulo
Brazil
Phone +55 1938553242
vencomatic@gmail.com

Vencomatic Ibérica S.L.

Polígono Industrial
Mas de Les Ànimes
C/ Guerau de Liost 7
43206 REUS (Tarragona)
Spain
Phone +34 977331908
info@vencomatic.es

Vencogroep Asia Sdn Bhd.

No. 29, Jalan Meranti Jaya 12
Meranti, Jaya Industrial Park
47120 Puchong
Selangor
Malaysia
Phone +66 86 60 38 100
info@vencoasia.com

**Venco China (Wuxi) Poultry
Equipment & Trade Co., Ltd.**

B-608, Wangzhuang Techn. Startup
Center, Nr. 4 Longshan Road, Wuxi
New District, 214000, Jiangsu Province
China
Phone +86 510-85293355
info@vencochna.com

Your local Vencomatic Group partner: